

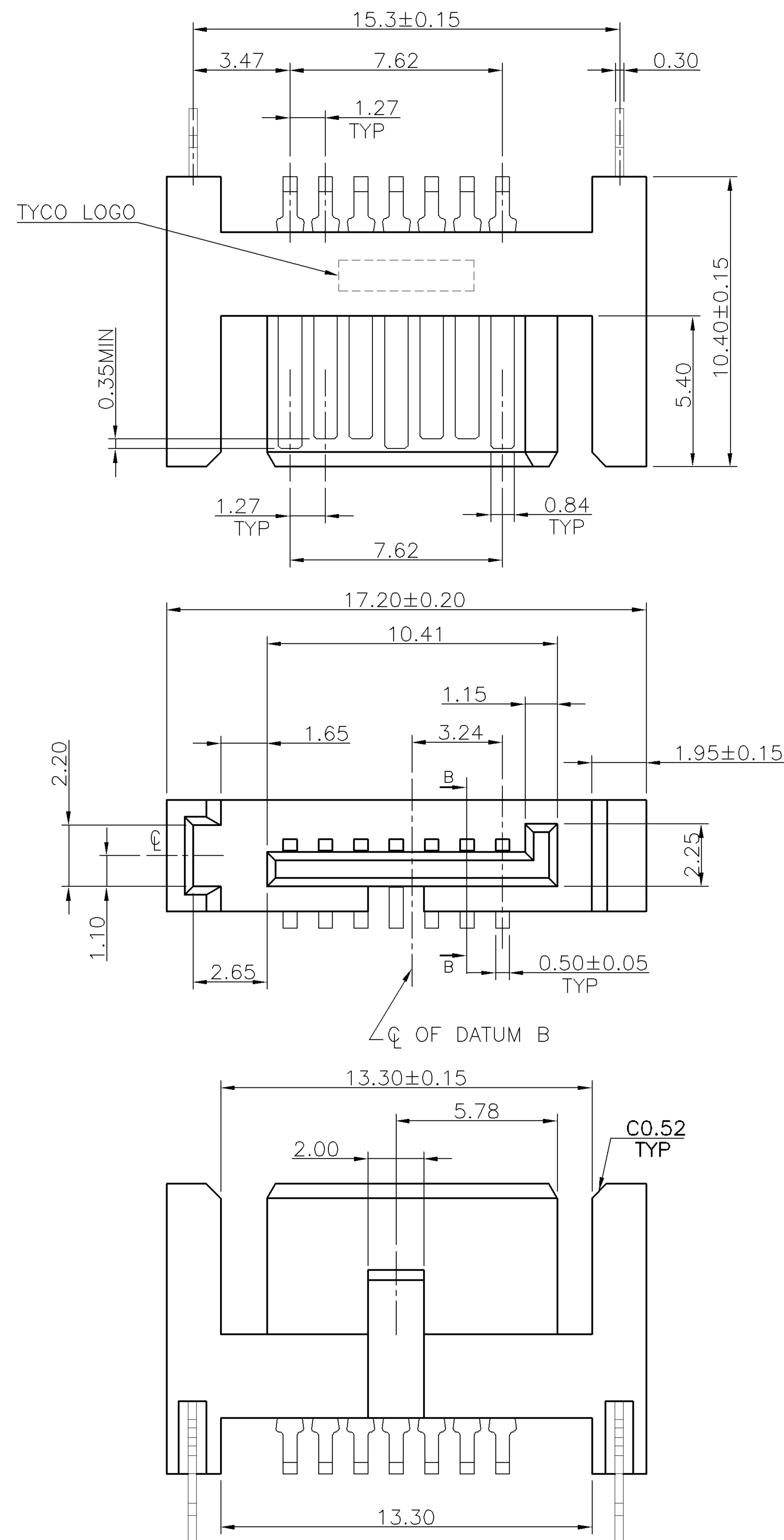
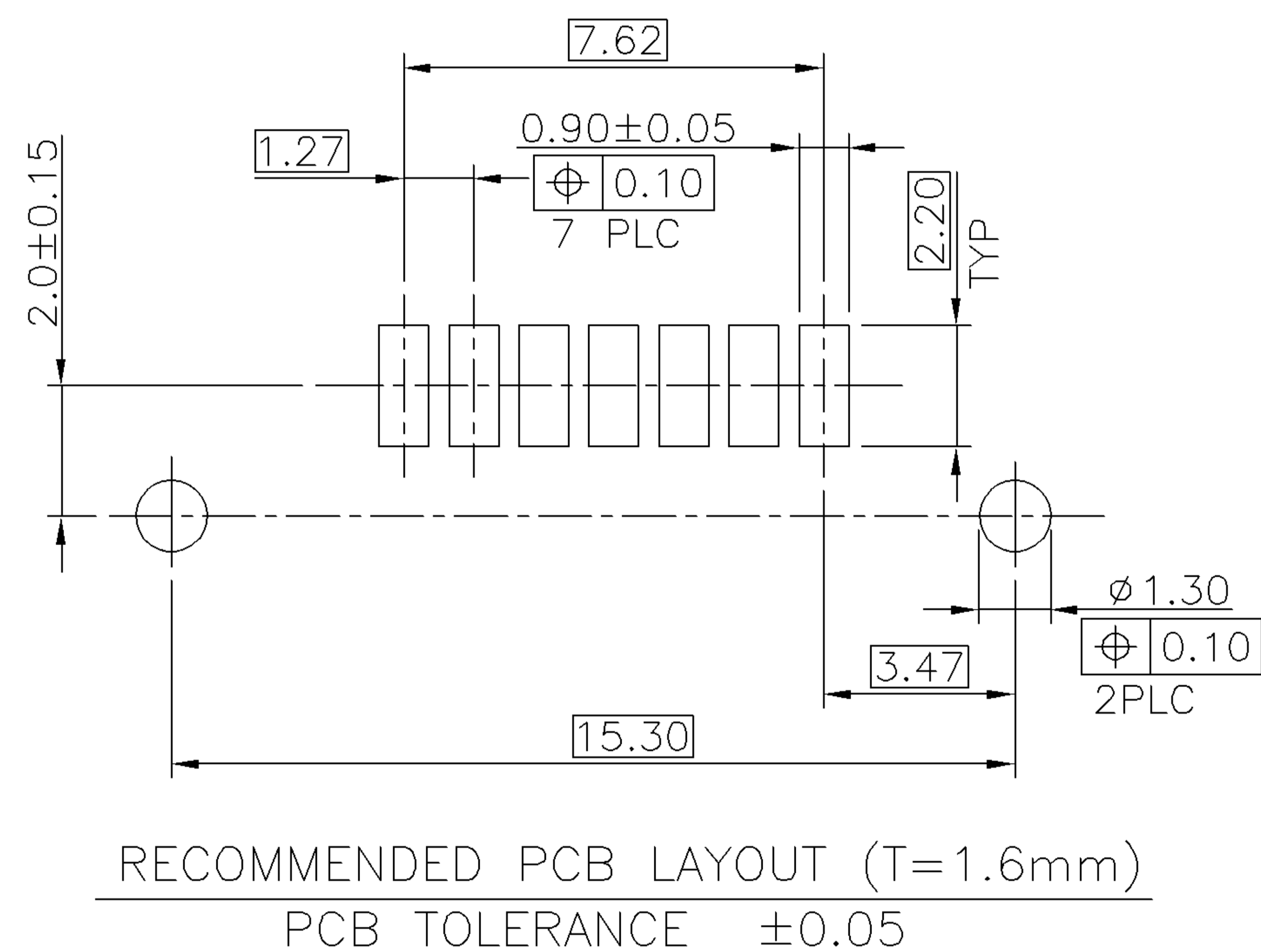
NUMBER  
C-1734058

3RD ANGLE PROJECTION

METRIC

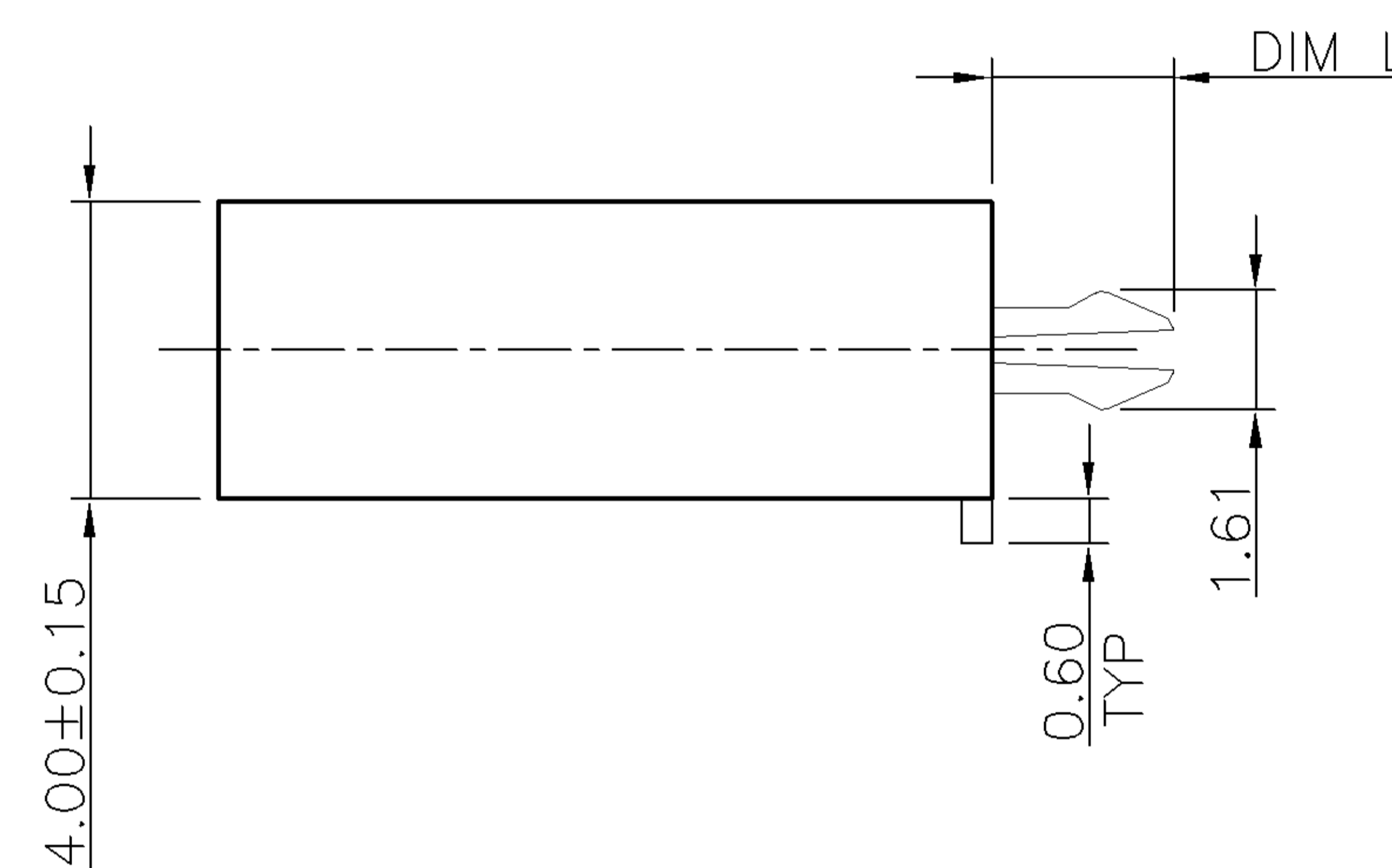
THIS INFORMATION IS CONFIDENTIAL AND IS DISCLOSED TO YOU ON CONDITION THAT NO FURTHER DISCLOSURE IS MADE BY YOU TO OTHER THAN AMP PERSONNEL WITHOUT WRITTEN AUTHORIZATION FROM AMP (TAIWAN) LTD. DIMENSIONS IN MILLIMETERS. DO NOT SCALE PRINT.

PRINT DIST  
DW



NOTE:

- MATERIAL:  
HOUSING: THERMOPLASTIC (LCP) WITH 30% GF, UL 94V-0, BLACK COLOR.  
CONTACTS: BRASS.  
BOARDLOCKS: BRASS.
- FINISH:  
CONTACTS: (SEE TABLE) GOLD PLATED ON CONTACT AREA, 100μ" MIN. MATTE-TIN ON SOLDER TAIL, WITH ENTIRE CONTACT UNDERPLATED 50μ" MIN. NICKEL.  
BOARDLOCKS: 100μ" MIN. MATTE-TIN OVER 50μ" MIN. NICKEL.
- REFLOW SOLDER CAPABLE TO 260°C AS PER TYCO SPEC. 109-201, CONDITION B.
- NO DATE CODE ON THE PRODUCT.

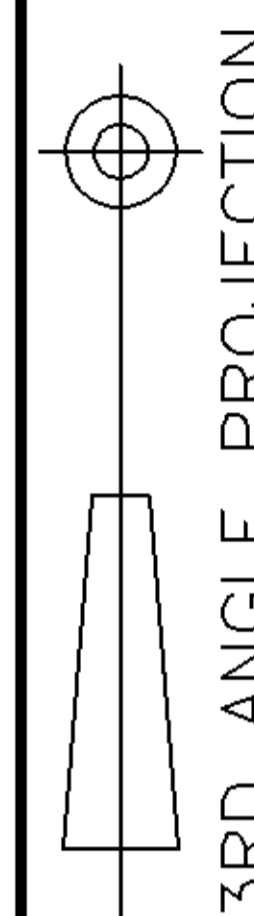


3.30	15μ"	1734058-4
2.45	30μ"	1734058-3
	15μ"	1734058-2
	GOLD FLASH	1734058-1
DIM L	GOLD PLATING	PART NUMBER

TOLERANCES UNLESS OTHERWISE SPECIFIED: 0 PLC ± - 1 PLC ± 0.3 2 PLC ± 0.25 3 PLC ± 0.2 ANGLES ± 3°		DWN A. WU 06-JUN-2006	TYCO Electronics TYCO HOLDINGS (BERMUDA) VII LTD. TAIWAN BRANCH	
MATERIAL SEE NOTE		CHK S. HOU 06-JUN-2006	NAME SERIAL ATA, 7 POS., PLUG, VERTICAL, SMT TYPE.	
FINISH SEE NOTE		APVD W.J. KE 06-JUN-2006	LOC DW	SIZE A <sub>3</sub>
		PRODUCT SPEC 108-57261	DRAWING NO C-1734058	
		APPLICATION SPEC -	SCALE --	REV A
		WEIGHT 0.7 g	SHEET 1 OF 2	

A	ADD PART NUMBER	ECR-06-013611	AW SH	06JUN 2006
O	NEW RELEASED	--	AW SH	01APR 2005
LTR	REVISION RECORD	ECN	DWN CHK	DATE

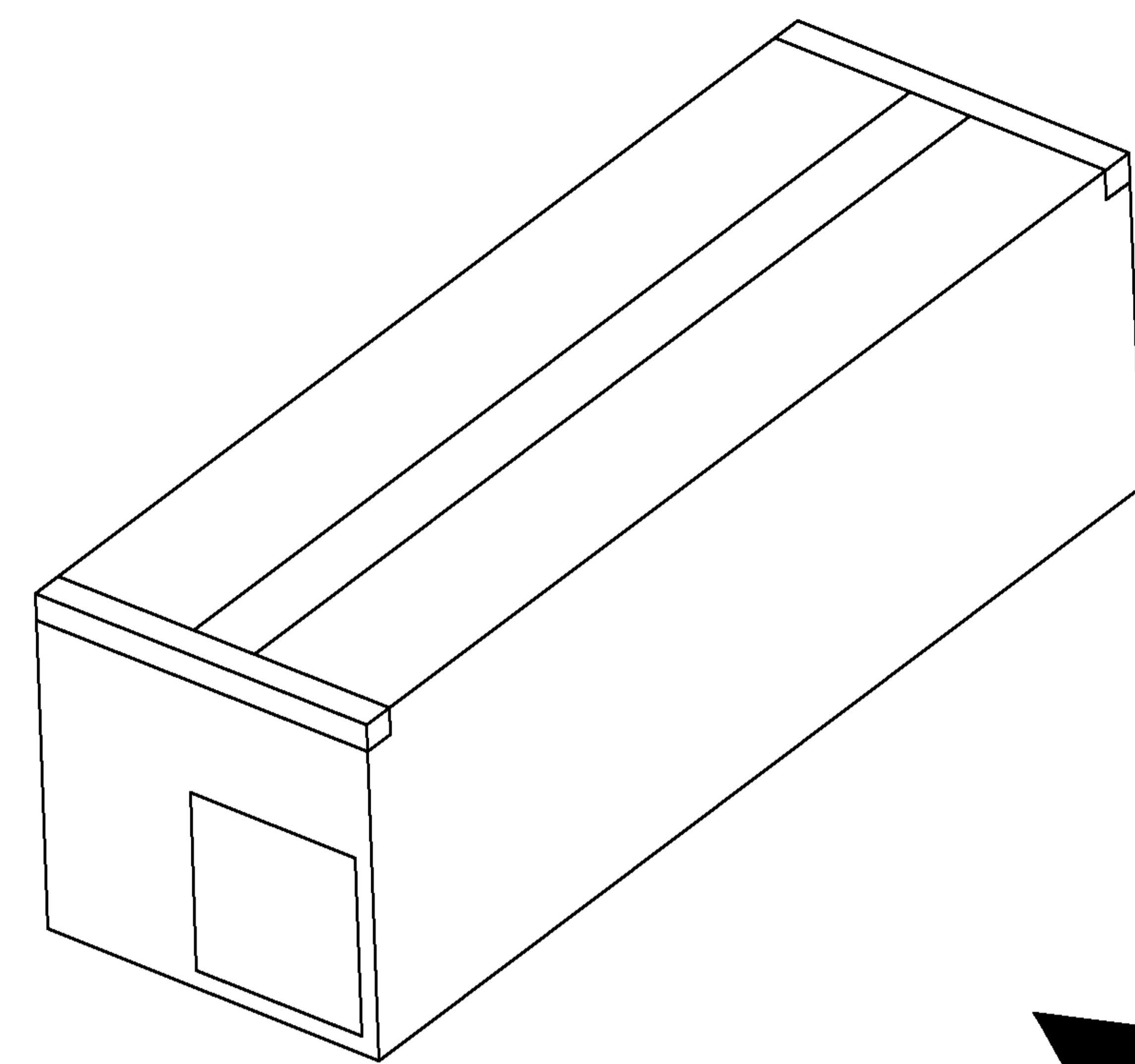
NUMBER  
C-1734058



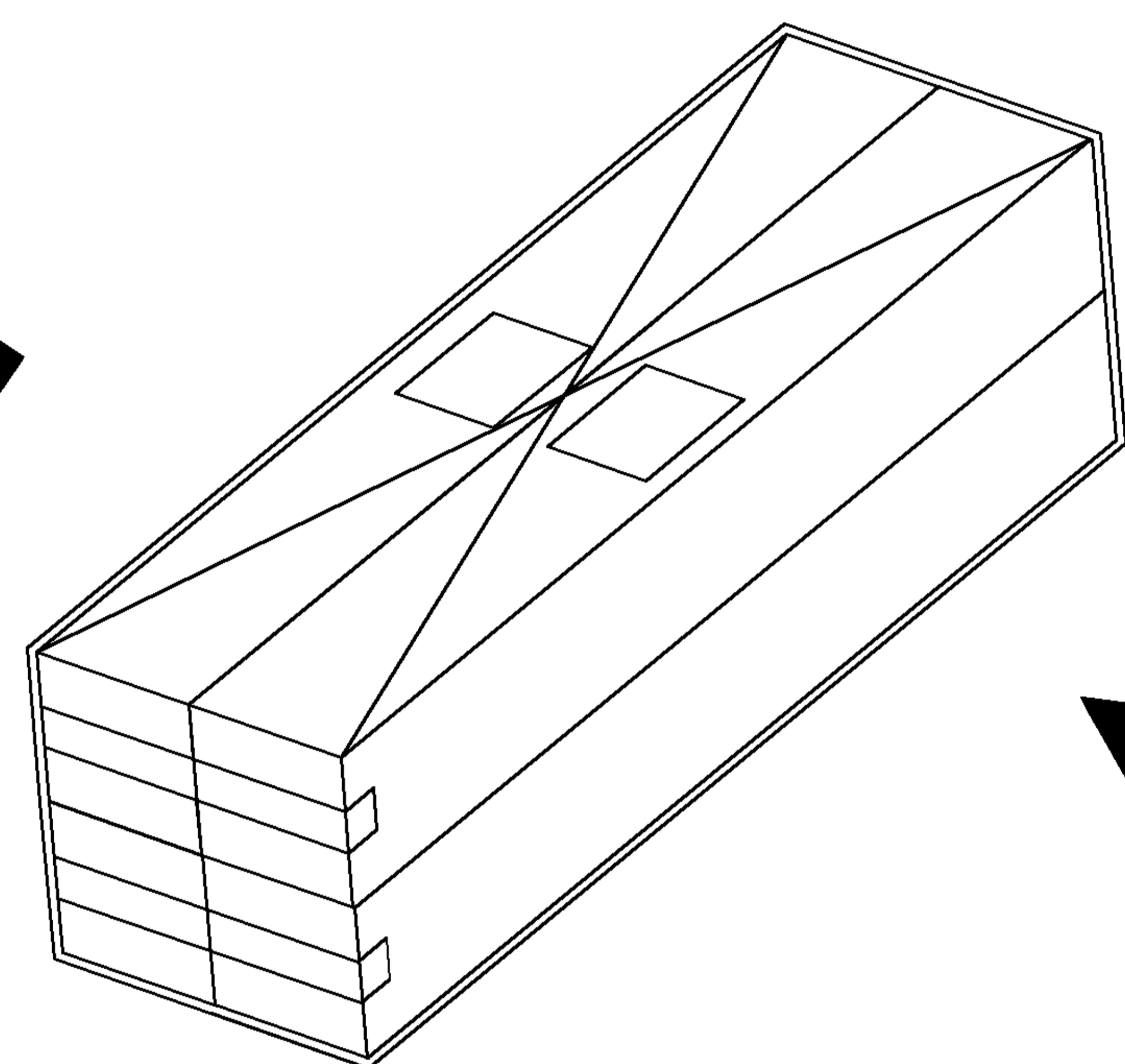
METRIC

THIS INFORMATION IS CONFIDENTIAL AND IS DISCLOSED TO YOU ON CONDITION THAT NO FURTHER DISCLOSURE IS MADE BY YOU TO OTHER THAN AMP PERSONNEL WITHOUT WRITTEN AUTHORIZATION FROM AMP (TAIWAN) LTD. DIMENSIONS IN MILLIMETERS. DO NOT SCALE PRINT.

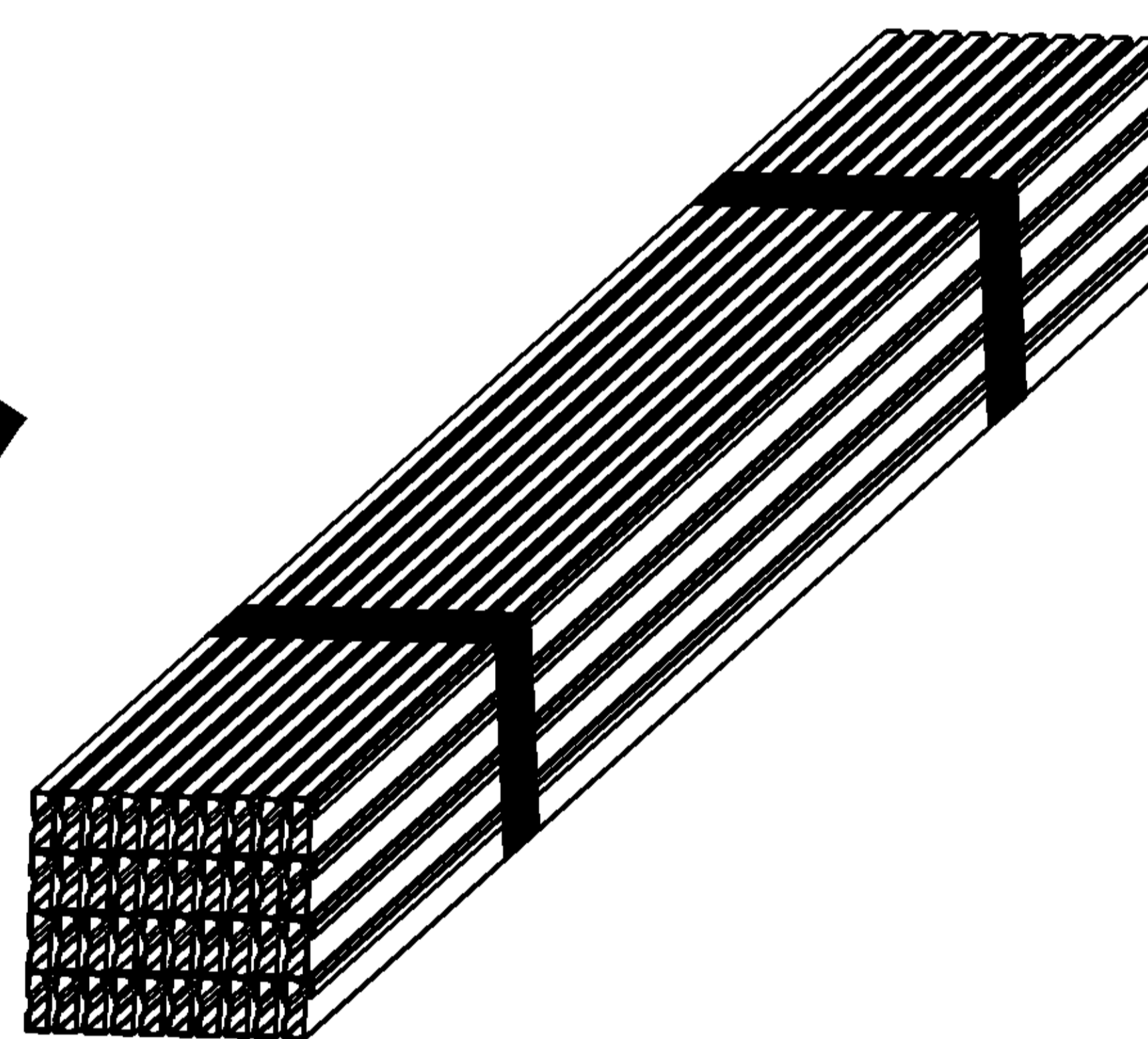
PRINT DIST  
DW



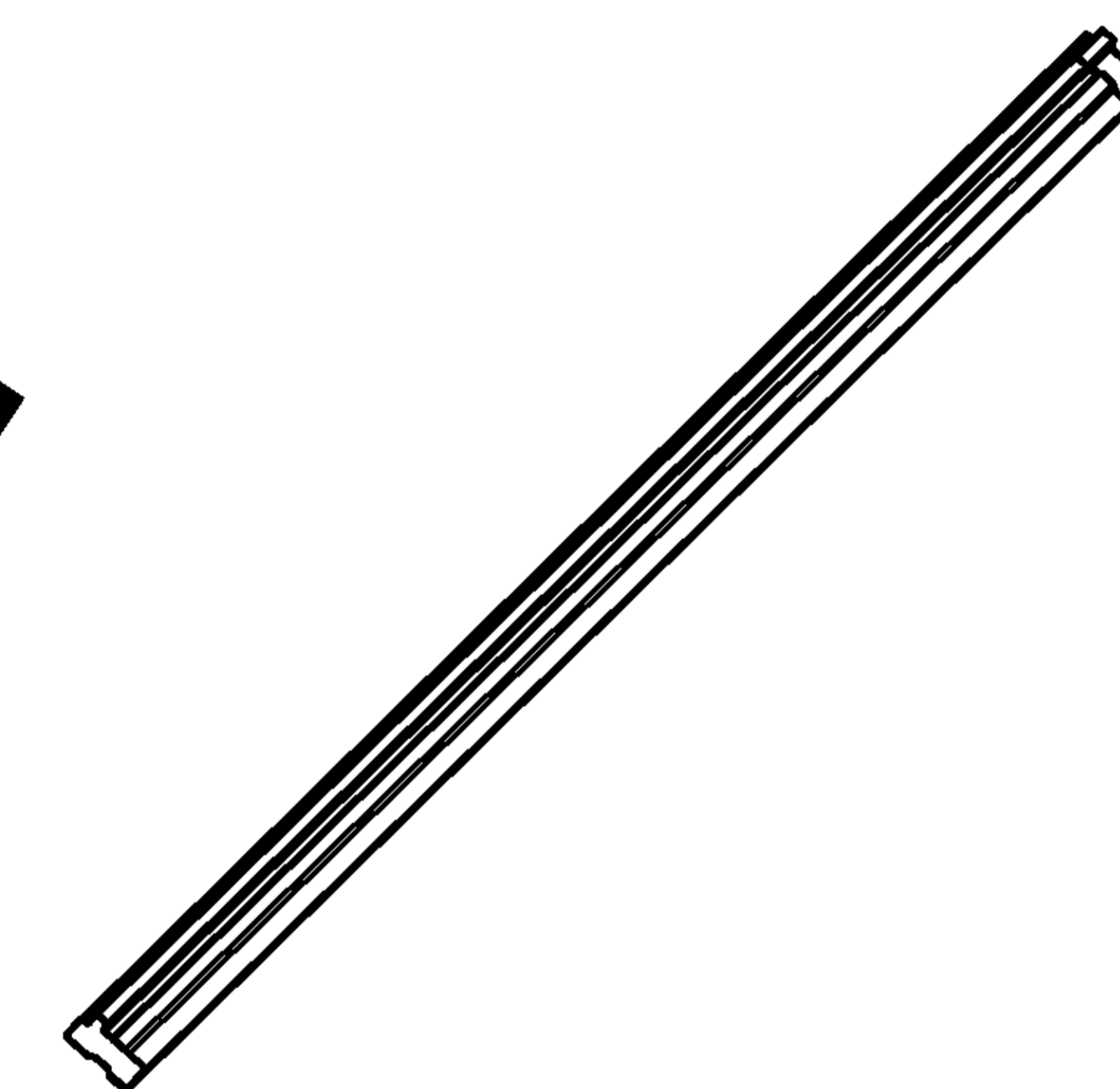
SHIPPING CARTON



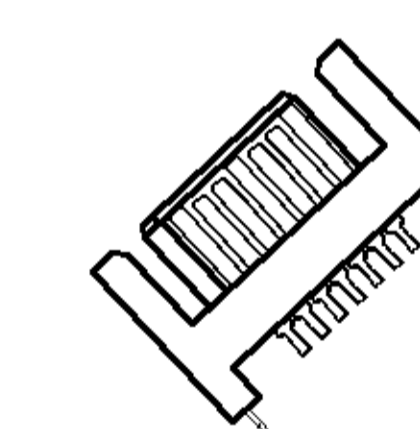
INNER CARTON



SHEAF



TUBE



PRODUCT

NOTE:

1. DIMENSION  
 TRAY: 460 X 7.5 X 15.8  
 INNER CARTON: 485 X 86 X 72  
 SHIPPING CARTON: 500 X 187 X 169
2. QUANTITY  
 25 PCS/TUBE  
 40 TUBES/SHEAF  
 1 SHEAF/INNER CARTON  
 4 INNER CARTON/SHIPPING CARTON  
 4000 PCS/SHIPPING CARTON
3. WEIGHT:  
 N.W: 5 KG  
 G.W: 6 KG

8 | 7 | 6 | 5 | 4 | 3 | 2 | 1  
CUSTOMER DRAWING

	SEE SHEET 1			
LTR	REVISION RECORD	ECN	DWN CHK	DATE

TOLERANCES UNLESS OTHERWISE SPECIFIED: 0 PLC ± 1 PLC ± 2 PLC ± 3 PLC ± ANGLES ±		DWN A. WU 06-JUN-2006	<b>tyco</b> TYCO HOLDINGS (BERMUDA) <b>Electronics</b> VII LTD. TAIWAN BRANCH	
MATERIAL -		CHK S. HOU 06-JUN-2006	NAME SERIAL ATA, 7 POS., PLUG, VERTICAL, SMT TYPE.	
FINISH -		APVD W.J. KE 06-JUN-2006	LOC DW	REV A
WEIGHT -		PRODUCT SPEC -	SCALE --	SHEET 2 OF 2
		APPLICATION SPEC -	DRAWING NO C-1734058	

D  
C  
B  
A